

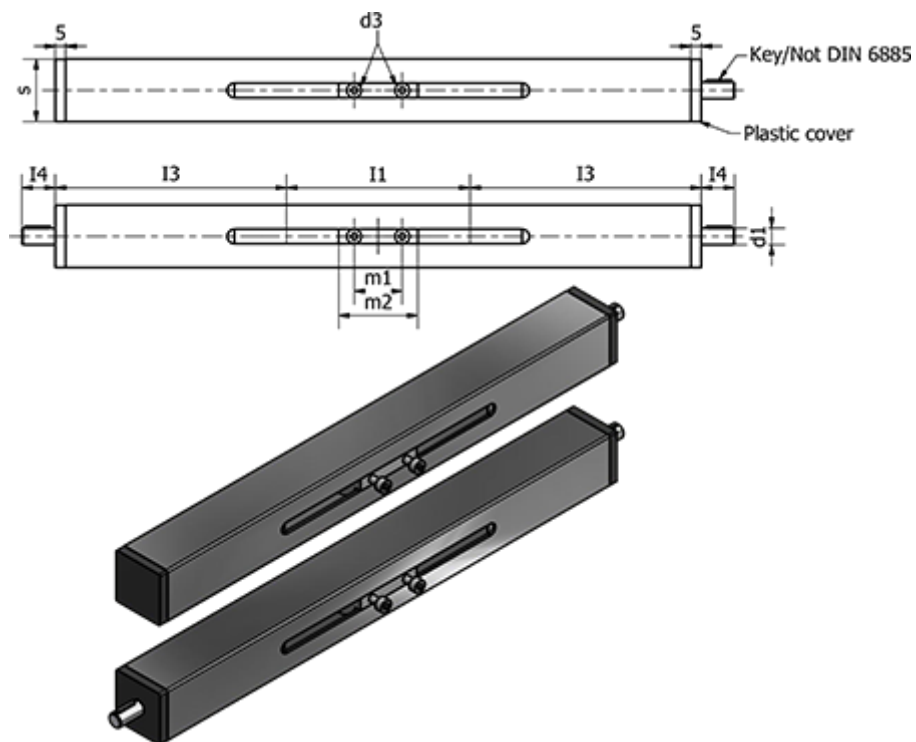
Data Sheet



Article number: 20291150215L1SCR

Description: E+G Linear actuators - GN 291.1-50-215-L1-SCR

Measures



$d1 f7 = 12$

$d2 = M6$

$I1 = 215$

$I2 = I2+245$

$I3 = 122.5$

$I4 = 18$

$m1 = 42$

$m2 = 54$

Max. travel = 1565

$s = 50$

Shaft key DIN 6885 = A4x4x12

Shaft thread = TR20x4